

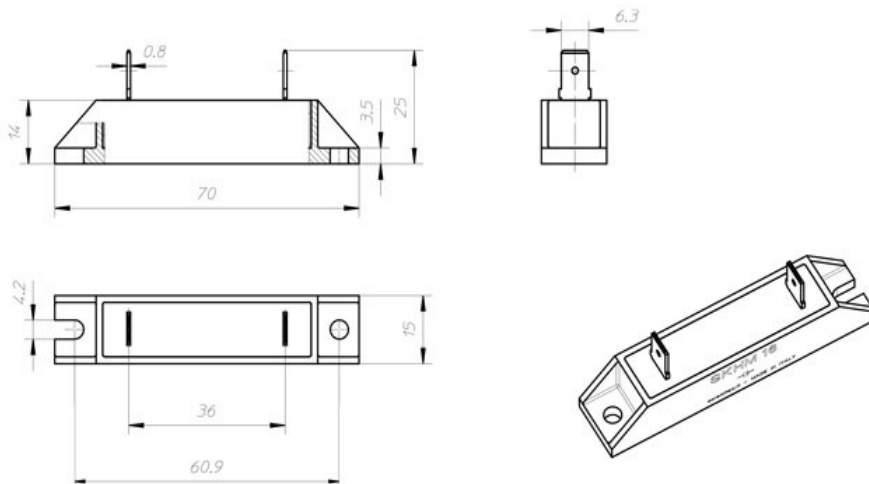
SKHM 16/0,85	High voltage rectifier diode		11/2022
Parameters	Conditions	Values	Units
Vbr		18000	V
Vrrm		16000	V
Vrms		12000	V
IFav	Tamb = 50°C	0,85	A
IFsm	Tvj = 25°C	60	A
IFsm	Tvj = 150°C	50	A
Ir	Tvj = 25°C	5	μA
Tvj		-40... +150	°C
Tvj	Tamb = 50°C – IF = 0,85 A	132	°C
Vf	Tamb = 17°C – IF = 0,75 A	6,63	V
Vf	Tamb = 17°C – IF = 0,75 A – Tvj = 83°C	6,03	V
Vf	Tamb = 16°C – IF = 0,85 A – Tvj = 98°C	5,93	V
w		ca. 21	g

Epoxy Resin (Huntsman)	CW 1195-1 BD
Resin Hardener (Huntsman)	HW 1196 BD
Housing Material	Akulon K225-KS (CTI 600)

CAMPI DI APPLICAZIONE/ APPLICATION FIELD

Macchine automatiche per la verifica di integrità di blister e contenitori farmaceutici; settore elettromedicale della radiologia; sistemi di alimentazione switching alta tensione.

Blister and pharmaceutical containers integrity validation automatic machines; specifically designed for medical diagnostic (i.e. radiology) industries; High Voltage switching power supply





POWER ELECTRONICS

USE RANGE				TOLERANCE		SURFACE		ARCHIVE		SCALE 1:1		
								MATERIAL HOUSING MATERIAL: AKULON K225-KSICT6001 MOLDING SHRINKAGE 1,1%				
								EPOXY RESIN: RESIN CW1195-1 BD HUNTSMAN HARDENER HW1196 BD				
					DATE		NAME	DESCRIPTION				
				DRAWN	25/11/22		LB	SKHM16 / 0,85				
				APPR.	25/11/22		MF					
				RLS.	25/11/22		MF					
								DRAWING-NUMBER		SHEET		
				OCRAM s.r.l. www.ocramitaly.it info@ocramitaly.it				SKHM16/0,85		Rev. 1		1
Rev.1		28/11/22	MF									
INDEX	DESCRIPTION	DATE	NAME	ORIGINAL				I.EXCH.F.		I.EXCH.TH.		