



POWER ELECTRONICS

— SINCE 1999 —



POWER ELECTRONICS

**CONTROLLATE LE VIBRAZIONI E AVRETE
IL POTERE DI CONTROLLARE LA SOSTANZA
E L'ENERGIA DELLA MATERIA**

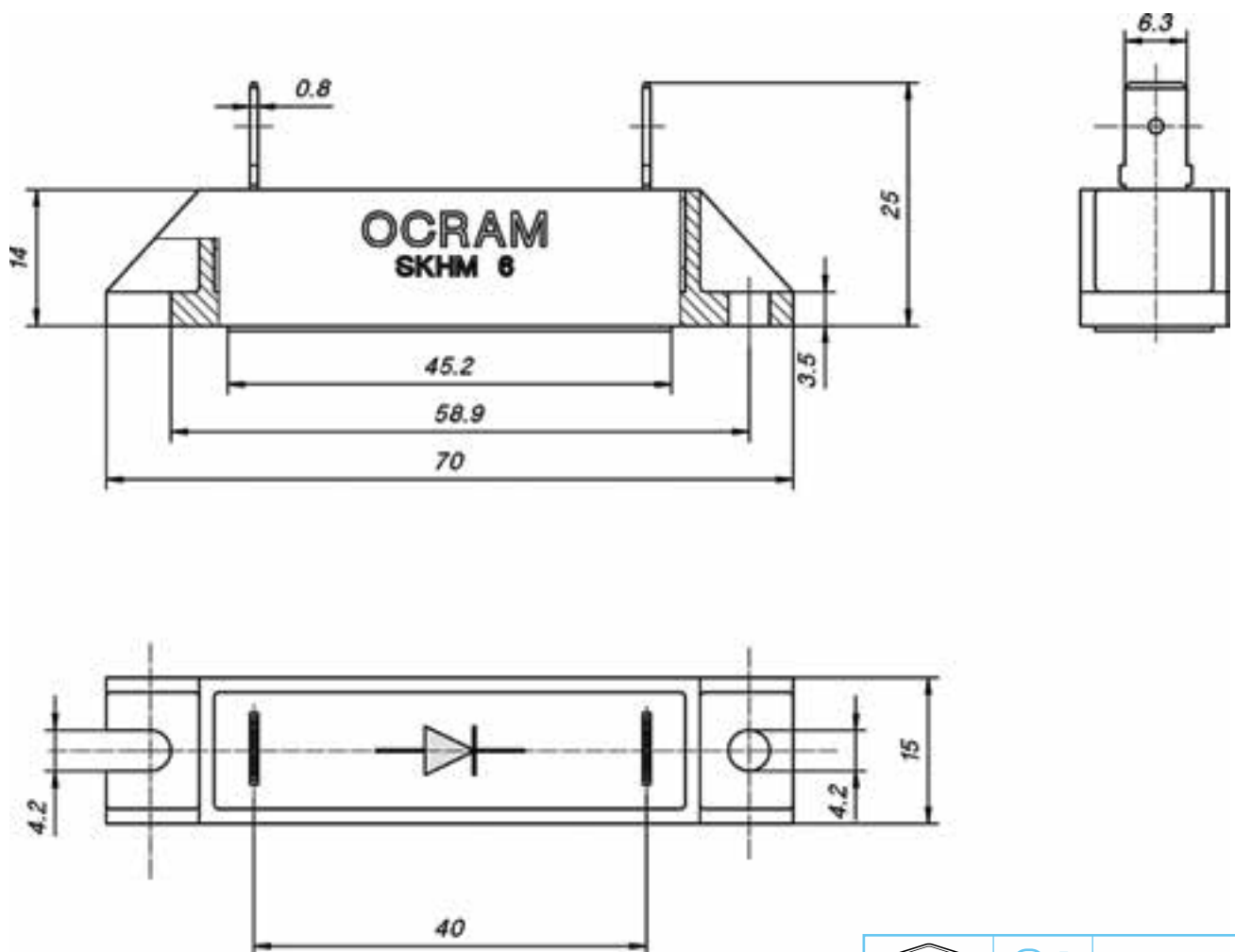
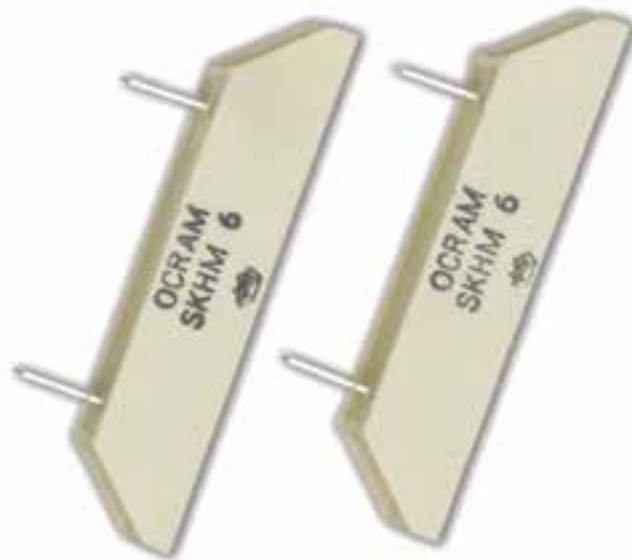
***CONTROL THE VIBRATIONS AND THE POWER
TO CONTROL SUBSTANCE AND MATERIAL
ENERGY WILL EVENTUALLY BE GIVEN***

JASMUHEEN

Parameters	Conditions	Values	Units
SKHM6			
V _{rsm}		6000	V
V _{rrm}		6000	V
I _{Fav}	T _{case} = 49°C, sin. 180°C	6,4	A
I _{Fav}	T _{case} = 45°C, rec. 180°C	7	A
I _{Frms}		10	A
I _{Fsm}	T _{vj} = 25°C	60	A
I _{Fsm}	T _{vj} = 130°C	50	A
I ² _t	T _{vj} = 25°C	18	A ² s
I ² _t	T _{vj} = 130°C	12,5	A ² s
I _r	T _{vj} = 25°C	max. 2	μA
V _f	I _f = 10A	max. 8	V
V _(to)	T _{vj} = 130°C	5	V
r _f	T _{vj} = 130°C	300	mΩ
R _{thjα}		25	°C/W
R _{thjc}		1,3	°C/W
R _{thch}		0,5	°C/W
T _{vj}		da -25 a +130	°C
T _{stg}		da -25 a +150	°C
Weight		ca. 23	g
Visol		9000	V~

< SKHM6

DS_OCR_09
REV.00 - 10/02/2015



CONTATTI

CONTACTS

Ocram S.r.l. - Power Electronics

Via Rovigo, 1 - 36031 Dueville (VI)

Italy

Tel. +39 0444.946448

Fax +39 0444.298900

info@ocramitaly.it

www.ocramitaly.it

Il catalogo è disponibile on line su www.ocramitaly.it

This catalogue is available on line on www.ocramitaly.it